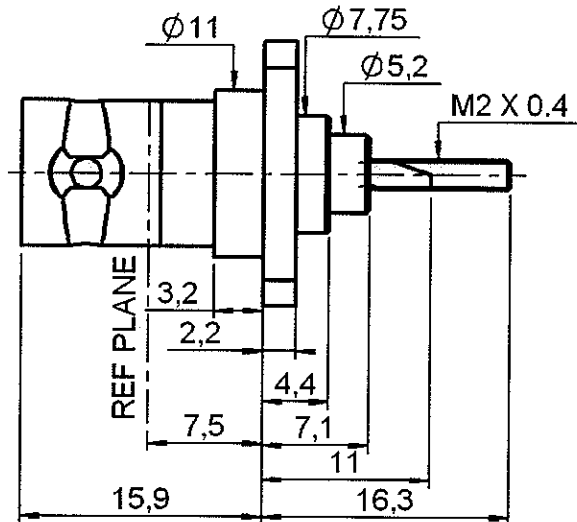
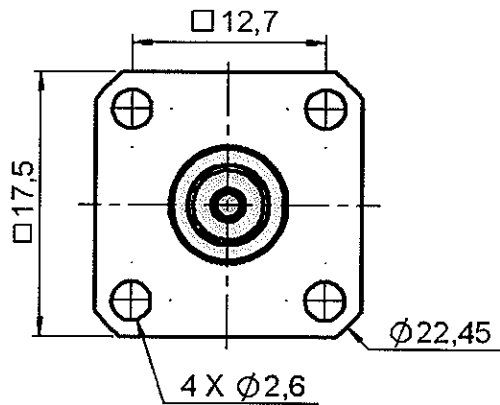


SQUARE FLANGE JACK RECEPTACLE

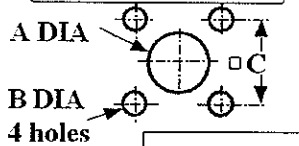
WITH M2x0.4 THREADED CONTACT

R141.433.200

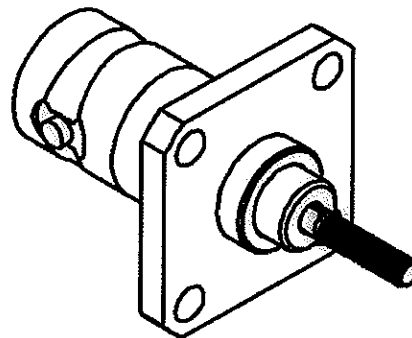
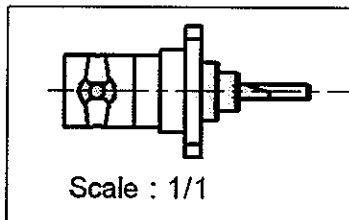
Series : BNC



PANEL CUT OUT



	mm	
	Maxi	mini
A (R. Mount)	11.3	11.2
A (F. Mount)	8	7.9
B	2.7	2.6
C	12.75	12.65



All dimensions are in mm.

COMPONENTS	MATERIALS	PLATING
BODY	BRASS	NICKEL 2 µm
CENTRE CONTACT	BERYLLIUM COPPER, BRASS	GOLD 0.5 OVER NICKEL 2 µm
OUTER CONTACT	-	- µm
INSULATOR	PTFE	- µm
GASKET	-	- µm
OTHERS PARTS	-	- µm
-	-	-
-	-	-



SQUARE FLANGE JACK RECEPTACLE

R141.433.200

WITH M2x0.4 THREADED CONTACT

Series : BNC

ELECTRICAL CHARACTERISTICS

Impedance		50 Ω
Frequency		0-4 GHz
VSWR	1.06* +	0.006 x F(GHz) Maxi
Insertion loss		.025* √F(GHz) dB Maxi
RF leakage	-(57 - F(GHz)) dB mini
Voltage rating		500 Veff Maxi
Dielectric withstanding voltage		1500 Veff mini
Insulation resistance		5000 MΩ mini

SPECIFICATION

ENVIRONMENTAL

Operating temperature	-65/+125 °C
Hermetic seal	NA Atm.cm3/s
Leakage – pressurised only	NA Mpa

OTHERS CHARACTERISTICS

Assembly instruction NA

Others :
* Coaxial Transmission Line Only

MECHANICAL CHARACTERISTICS

Centre contact retention		
Axial force – Mating end		18 N mini
Axial force – Opposite end		18 N mini
Torque		2.8 N.cm mini

Recommended torque		
Mating		NA N.cm
Panel nut		NA N.cm

Mating life		500 Cycles mini
Weight		9.000 g

